

PDDL31 Height Adjustable Diplomat Podium PLUS



Large front panels
ideal for emblem
or logo



The **PDDL31 Extra wide** Height Adjustable Podium PLUS is designed for international conferences, and formal events. This podium enhances the speaker's presence and commands attention, making it an essential piece for any diplomatic setting.

It is height adjustable, ensuring comfort and visibility for the speaker. It features wheels for easy maneuverability and highly resistant thermowrap panels with a 6-outlet power bar integrated for device connectivity.

Its front panels are suitable to incorporate your institutional emblem or logo, and the sturdy base ensures stability during use.

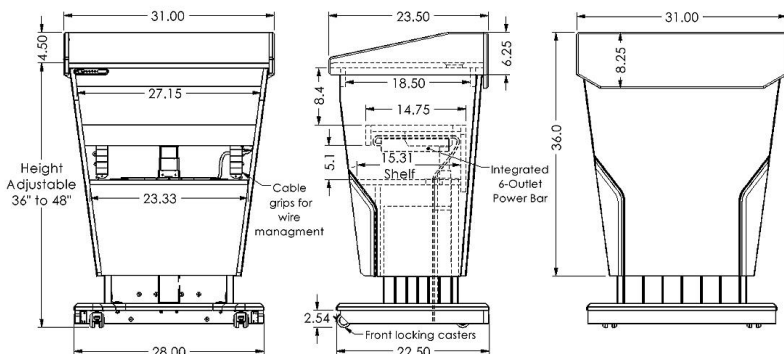
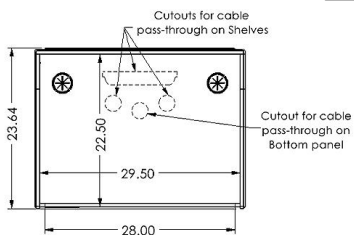
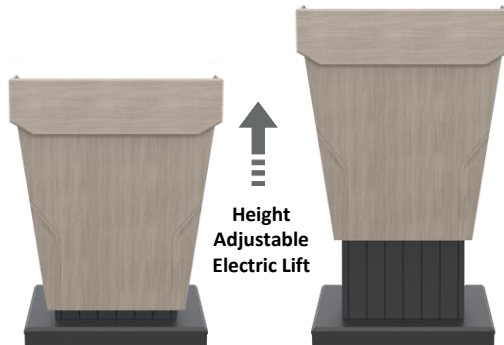
Standard Features

- Height adjustable (work surface from 36" to 48").
- Highly resistant thermowrap work surface and body finish.
- Large 29.5" W x 22.5" D work surface with grommets.
- Switch control with display and 3-memory height position.
- Dual shelf for document storage.
- Integrated 6-Outlet power bar with cable grip for wire management.
- Wheels on base for easy maneuvering (2 locking).
- Ships assembled.

Options

- **MIC-18** MX418C Shure Gooseneck microphone.
- **LIGHT-18** Littlite Gooseneck.
- **FM3** Count down timer/ clock.
- **PC-PATCH** 2x 110AC, RJ45, Phone, 2x USB.
- **CUB3** Round cable well.
- **CUB4** Black-B/Silver-S Power Panel.
- **CUB5** Round cable well (Black or Silver).
- **CUB22** 3 Module Power panel, Black. (2x AC, USB-A & USB-C fast charging).
- **CUBM3** 3 Module Power & Data panel, Black. (2x AC, 1x Cat 6 port w/pigtail).
- **CUBM4** 4 Module Power & Data panel, Black. (2x AC, 1x Cat 6 port w/pigtail, 1x HDMI Port).
- **CHGQIB** Wireless Charging Station, Black (UL, CE, Qi certified).
- **CUSTOM CUTOUT** Cutouts for electronics or other items specified by the customer.

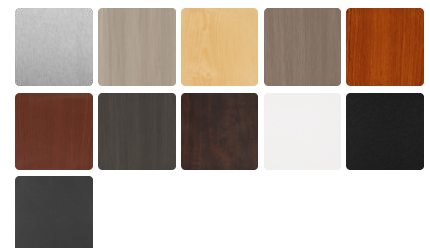
Height
Adjustable
Electric Lift



Specifications

Model: PDDL31
Width: 31.0"
Depth: 24.0"
Height: 40.5"-52.5"

Finishes:



The information contained in this drawing is the sole property of Audio Visual Furniture International. Any reproduction in part or as a whole without the written permission of Audio Visual Furniture International is prohibited. We can build or modify stock configurations to suit customer specifications. Please contact us to discuss how this service can help meet your needs. Some quantity restrictions may apply. Specification subject to change without notice. Computers, cameras, monitors, etc. are shown to illustrate product usage and are not included unless otherwise noted.